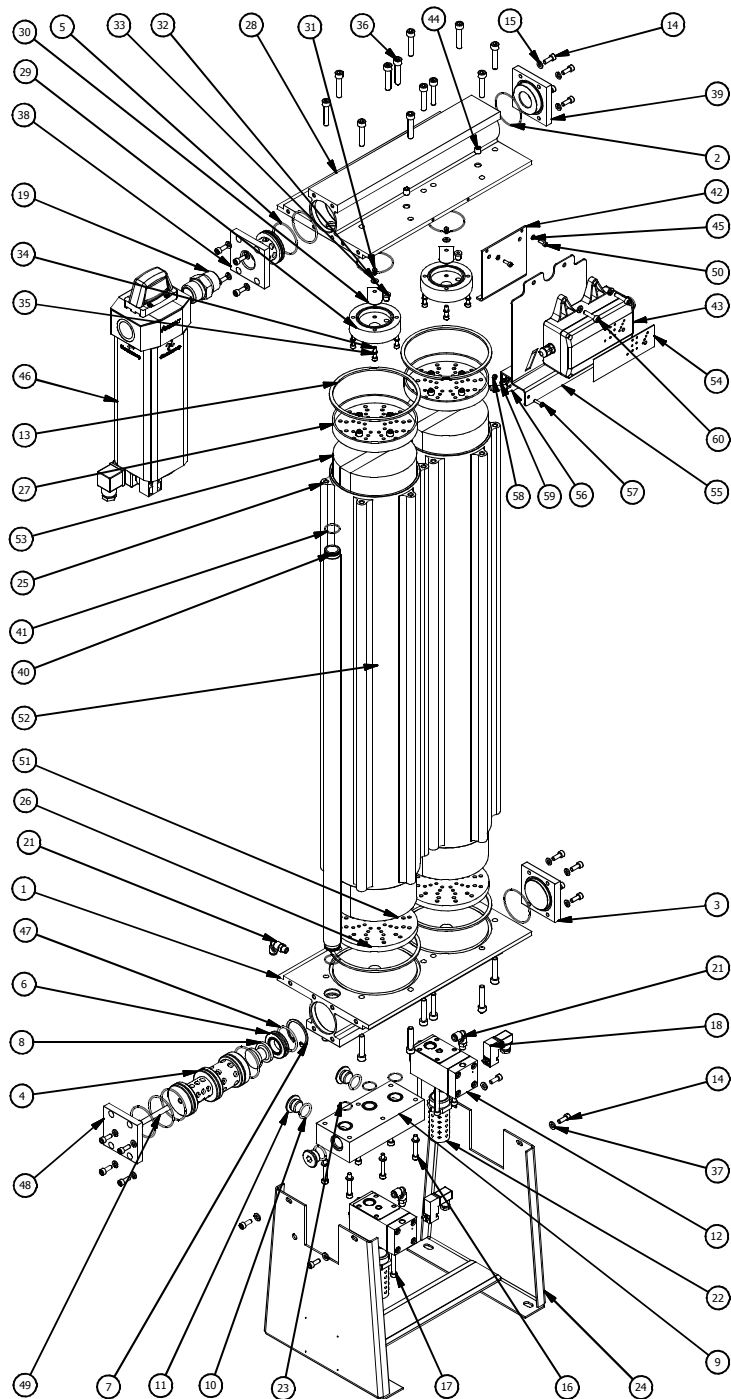


DRYSPELL PLUS 60 EXPLODED VIEW

Drw. No.PD208



PARTS LIST				PARTS LIST			
ITEM	QTY	PART NUMBER	DESCRIPTION	ITEM	QTY	PART NUMBER	DESCRIPTION
1	1	AD1452	BOTTOM BLOCK DRYSPELL PLUS 45 & 60	31	2	CF315	SOC. HD. CAP SCREW M5 X 8 (SS)
2	4	CO187	O-RING (56 X 2.0)	32	2	CF269	PLATE WASHER M5
3	1	AD1075	END COVER	33	2	AD1482	PURGE ORIFICE DRYSPELL PLUS 60
4	1	AD1463	SHUTTLE GUIDE DRYSPELL PLUS 45 & 60	34	8	CF104	SOC. HD. CAP SCREW M5 X 20 (SS)
5	6	CO202	O-RING (51.6 X 2.4)	35	8	CF283	SPRING WASHER M5 (SS)
6	1	AD914	SHUTTLE CLOSER	36	24	CF141	SOC. HD. CAP SCREW M8 X 40 (SS)
7	1	CC146	CIRCLIP B-45	37	4	CF320	PLATE WASHER M6 - SS
8	1	CD662	SHUTTLE INLET	38	1	AD1483	END COVER INLET DRYSPELL PLUS 60
9	1	AD1466	TRANSFER BED DRYSPELL PLUS 45 & 60	39	1	AD1484	END COVER OUTLET DRYSPELL PLUS 60
10	3	CO062	O-RING (21.5 X 3.0)	40	1	AD1485	TRANSFER TUBE DRYSPELL PLUS 60
11	3	AD243	PLUG MACHINED	41	2	CO047	O-RING (21.95 X 1.78)
12	2	AD1467	EXHAUST VALVE ASSY DRYSPELL PLUS 45 & 60	42	1	AD1479	BRACKET MOUNTING CONTROLLER BOX
13	4	CD192	DRYING TOWER GASKET	43	1	AD1670	CONTROLLER UL WITH SMPS (MODEL DS31-90)
14	20	CF201	SOC. HD. CAP SCREW M6 X 16 (SS)	44	2	CF083	GRUB SCREW
15	24	CF205	SPRING WASHER M6 (SS)	45	2	CF299	PLATE WASHER M4 (SS)
16	6	CF314	SOC. HD. CAP SCREW M6 X 40 (SS)	46	1	PF158	CLEANSWEEP T250Y EA
17	8	CF200	SOC. HD. CAP SCREW M6 X 60 (SS)	47	1	CO079	O-RING (39.34 X 2.62)
18	2	AS079	SOLENOID VALVE 24V DC	48	1	AD1486	END COVER BOTTOM -1 DRYSPELL PLUS 45 & 60
19	1	AD1354	CONNECTOR 1 NPTM X 1 NPTM	49	1	CF142	SOC. HD. CAP SCREW M8 X 65 (SS)
20	---	---	---	50	2	CF223	SOC. HD. CAP SCREW M4 X 12 (SS)
21	4	AC115	ONE TOUCH ELBOW 1/8" MALE	51	2	AD1398	ACTIVATED ALUMINA BAG ASSY
22	2	AD658	MUFFLER 1"	52	2	AD1622	ACTIVATED ALUMINA BAG ASSY DRYSPELL PLUS 45 & 60
23	3	CO182	O-RING (20 X 1.5)	53	2	AD1623	MOLECULAR SIEVES BAG ASSY DRYSPELL PLUS 45 & 60
24	1	AD1470	MOUNTING BRACKET ASSEMBLY	54	1	CP361	DISPLAY STICKER UL DS31-90
25	2	AD1481	TOWER DRYSPELL PLUS 60	55	1	AD1674	MOUNTING BRACKET DRYSPELL CONTROLLER WITH SMPS
26	2	AD641	BOTTOM DIFFUSER ASSY	56	1	CE659	SMPS 24V DC
27	2	AD642	TOP COMPACTOR PLATE	57	2	CF246	STAR HEAD CAP SCREW M4 X 16 (SS)
28	1	AD1472	TOP BLOCK DRYSPELL PLUS 45 & 60	58	2	CF348	NUT HEX M4 (SS)
29	2	AD1473	NRV HOUSING	59	2	CF325	PLATE WASHER M4 (SS)
30	2	AD1474	NRV PLATE	60	2	CF022	SOC. HD. CAP SCREW M6 X 25 (SS)

SPARE KIT

4	AS693	FILTER ELEMENT ASSEMBLY T250Y	CO200	O-RING (78 X 3.0)	2
			CD943	SEAL RUBBER	1
3	SK286A	SEAL KIT WITH DESICCANT - DRYSPELL PLUS 60	AC143	FILTER ELEMENT T250Y	1
			SK285A	SEALS AND O-RING SPARE KIT - DRYSPELL PLUS 60	1
2	SK222 A	EXHAUST VALVE SPARE KIT DPS-20, 30 & 45	AD642	TOP COMPACTOR PLATE	2
			AD641	BOTTOM DIFFUSER	2
1	SK285A	SEALS AND O-RING SPARE KIT - DRYSPELL PLUS 60	AD1398	ACTIVATED ALUMINA BAG ASSY	2
			AD1622	ACTIVATED ALUMINA BAG ASSY DRYSPELL PLUS 45 & 60	2
			AD1623	MOLECULAR SIEVES BAG ASSY DRYSPELL PLUS 45 & 60	2
			CO002	PISTON O-RING-2 (28.17 X 3.53)	2
			CO067	PISTON O-RING -1 (10 X 2.62)	2
			CO009	PLUG O-RING (31.6 X 2.4)	2
			AD745	POPPET ASSY	2
			AD548	SPRING COMP.	2
			CD116	GASKET RUBBER	2
			AG012	GASKET	2
			CC146	CIRCLIP B-45	1
			AD1474	NRV PLATE	2
CO182	O-RING 20 X 1.5	3			
CO047	O-RING (21.95 X 1.78)	2			
CO079	O-RING 39.34 X 2.62	1			
CO187	O-RING (56 X 2.0)	4			
CO062	O-RING (21.5 X 3.0)	3			
CO202	O-RING (51.6 X 2.4)	6			
AD1482	PURGE ORIFICE DRYSPELL PLUS 60	2			
CD192	DRYING TOWER GASKET	4			
CD662	SHUTTLE INLET	1			
ITEM	PART NUMBER	DESCRIPTION	SPARE KIT CONSISTING OF		