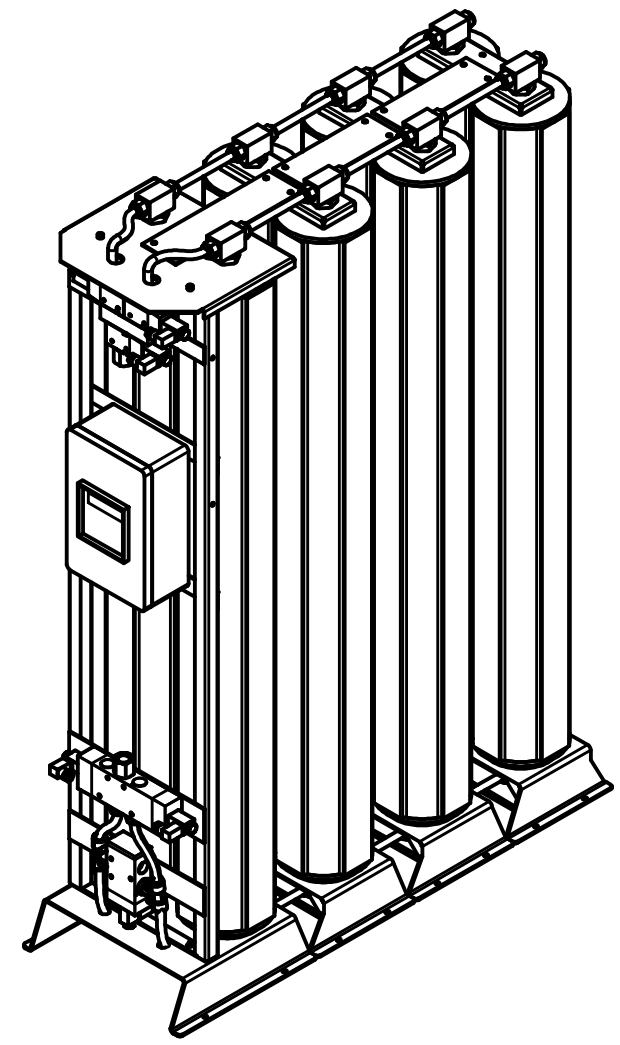
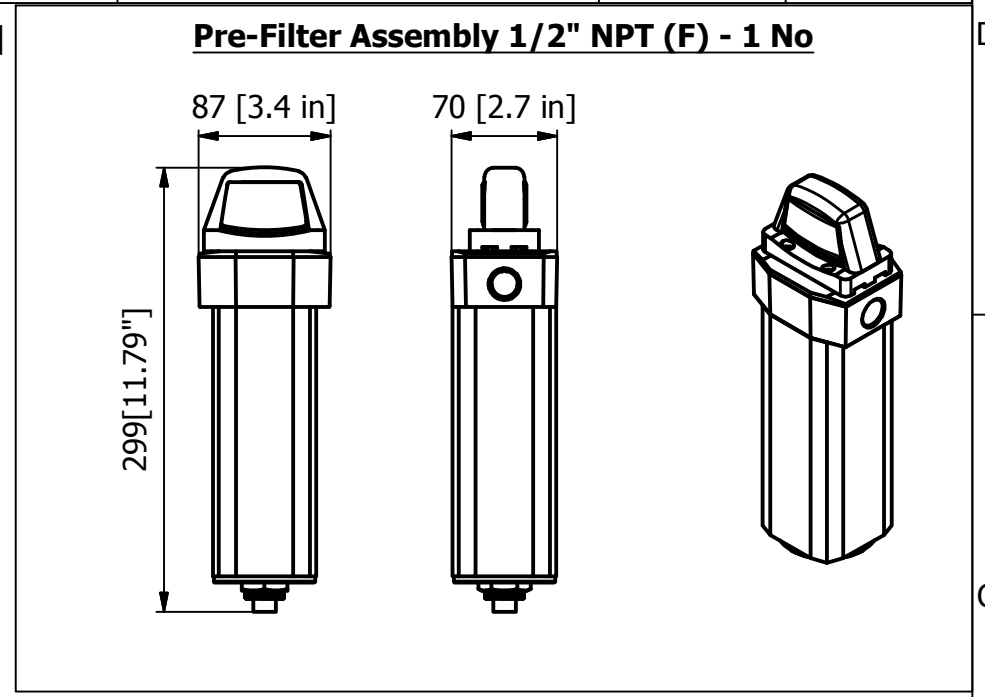
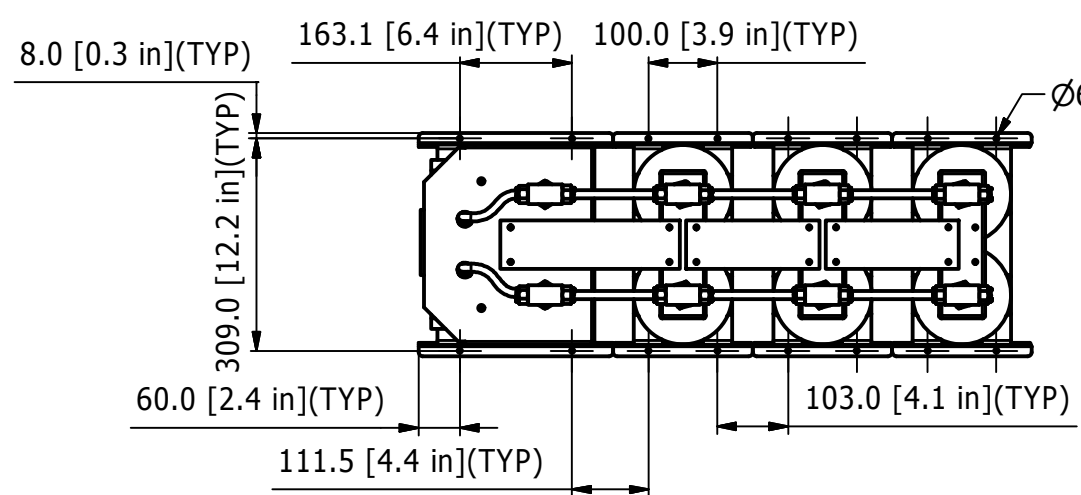


INSTRUCTIONS			REV.No	Date	Details of Revision	ECN Ref.	Appd. By
Receiving Inspection Plan	TPPL\ENG\03	REV.00 CLAUSE 03					



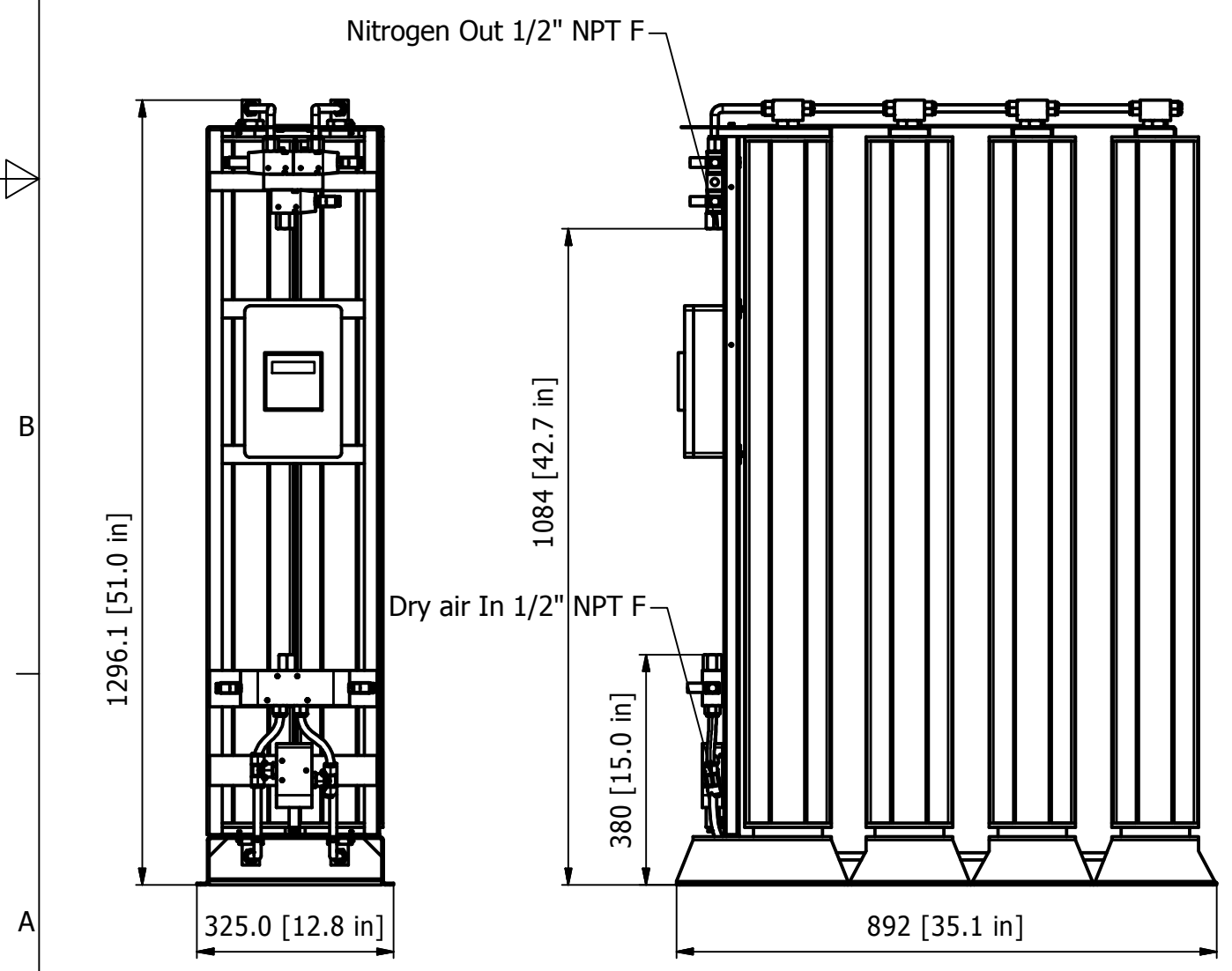
SPECIFICATIONS

- 1. Inlet Air requirement : 33.3 Cu.m/hr
- 2. Nitrogen Out : Refer Table
- 2. Maximum Operating Pressure : 9 bar(g) (130.5 PSI(g))
- 3. Rated Air Inlet Temperature : 104° F Max
- 4. Rated Operating Pressure : 7 bar(g) (101.5 PSI(g))
- 5. End Connection : 1/2" NPT (F)
- 6. Inlet Air Quality : ISO 8573 CLASS 4 (Min)

Purity (%) Vs Nitrogen Flow (cu.m/hr)						
99.99	99.9	99.5	99	98	97	95
3.24	7.07	10.40	12.48	14.56	16.64	20.80

ELECTRICAL:

- Power Input : 100-240V AC 50/60 HZ
- Power Consumption : 24 Watts (Max.)



Does this drawing contains critical Interface Dimensions : NO

Critical to Quality Characteristics Marked thus :

UNLESS OTHERWISE SPECIFIED USE THE FOLLOWING

GENERAL TOLERANCE FOR LINEAR DIMENSION IS 2102 (PART 1) 1993 ISO 2768 -1: 1989	3.2
DIMS.	0.5-6 6-30 30-120 120-400 400-1000 1000-2000 2000-4000
COAR	±0.2 ±0.5 ±0.8 ±1.2 ±2 ±3 ±4

This Drawing which Contains Proprietary information is the property of Trident Pneumatics Pvt. Ltd. It shall not be reproduced in any manner nor disclosed to third parties without getting written permission of Trident Pneumatics Pvt. Ltd.

TITLE		
NitroGen 50 GA		
UNLESS SPECIFIED ALL DIMS. ARE IN mm	SCALE	SHEET
	NTS	1 OF 1
MATERIAL : varies	QTY: 1/No/unit	
APPROVED	KSN	13.02.2017
CHECKED	CJP	13.02.2017
DRAWN	BK	13.02.2017

CUSTOMER	VOL
PRODUCT	NitroGen
DRG NO	PG005
REV LEVEL	R0
File : \\NitroGen 50\Drawings\2D	
MEASUREMENT SHOULD NOT BE TAKEN AS REF. FROM DRG.	